

! TFP Ø 18 mm
no longer available!

✓ Successor: TSMF
New, modular and better!

All advantages at anderson-negele.com



HYGIENIC BY DESIGN

ANDERSON-NEGELE

Product Information TFP-90, -94, -96, -98

PHARMA

Pharma-Temperature Sensor with Fermenter Connection

Application/Specified usage

- Temperature measurement in plants of pharmaceutical industry
- Temperature measurement in fermenter connection

Application examples

- Process monitoring
- Monitoring of CIP-/SIP-process
- Temperature monitoring

Hygienic design/Process connection

- Fermenter process connection, standard length 46 mm/52 mm
- Easy sterilizable measuring point
- CIP-/SIP-cleaning up to 150 °C
- Product contacting materials compliant to FDA
- Sensor completely made of stainless steel

Features/Advantages

- Temperature sensor electro polished $R_a \leq 0.8 \mu\text{m}$ (standard)
- Fermenter connection made of stainless steel 316L (1.4435)
- Integrated transmitter (optional)
- Inspection certificate 3.1 in scope of delivery
- Protection class IP 69 K (with electrical connection M12 plug)

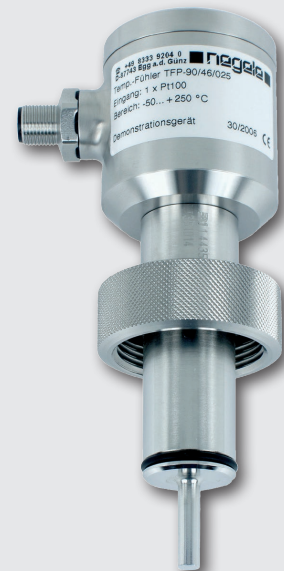
Options/Accessories

- 2 x Pt100 (not retrofittable)
- 2 x Pt100 with two transmitters (not retrofittable)
- Programmable transmitter MPU-4 and MPU-M with output 4...20 mA, 2-wire
- Integrated transmitter for HART-protocol
- Programming adapter MPU-P 9701
- Integrated transmitter MPU-LCD with display in connecting head
- Pt100 chip with other classes of accuracy (1/3B, 1/10B)
- Sensor tips with diameter 3 mm and 4 mm
- Pre-assembled connecting cable for M12 plug
- Fixed cable in other lengths and other material available
- Calibration certificate, DKD-laboratory certificate
- Surfaces with $R_a \leq 0.4 \mu\text{m}$ resp. $0.6 \mu\text{m}$ available optional

Authorizations



Temperature sensor TFP-90



Temperature sensor TFP-98



Temperature sensor		
Process connection	Fermenter sleeve	DN25 with coupling nut, G1¼"
Insertion length	standard	25 mm
Connection length	standard	46 mm and 52 mm
Materials	connecting head and coupling nut fermenter connection sealing ring	stainless steel 1.4301 (AISI 304) stainless steel 1.4435 (AISI 316L), electro polished, $R_a \leq 0.8 \mu\text{m}$, $R_a \leq 0.6 \mu\text{m}$ and $R_a \leq 0.4 \mu\text{m}$ optional EPDM
Operating pressure		10 bar maximum
Temperature ranges	ambient sensor tip	-50...+85 °C -50...+250 °C
Sensing resistor	acc. to DIN EN 60751	Pt100
Electrical connection	cable gland cable connection fixed cable 2.5 m fixed cable 2.5 m (> 90 °C)	M16 x 1,5 M12 plug 1.4301 (AISI 304), 4-pins LIYY 4 x 0.25 mm ² PTFE 4 x 0.14 mm ²
Protection class		IP 69 K (with electrical connection M12 plug)

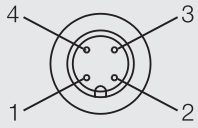
Transmitter MPU-4, MPU-H, MPU-M		
Temperature ranges	ambient storage	-40...+85 °C -55...+90 °C
Measuring ranges	MPU-4, MPU-H, MPU-M	standard: -10...40 °C, 0...50 / 100 / 150 / 200 °C special ranges free programmable
Accuracy	input	< ±0.25 °C
Temperature drift	zero, span	< 0.01 % / K
Supply	MPU-4, MPU-H, MPU-M accuracy	8...35 V DC 0.01 % / V (reference: 12 V DC)
Output	signal accuracy burden	analog 4...20 mA < ±0.1 % of measurement range < 600 Ω (at $U_B = 24 \text{ V}$)
Humidity	without condensation	0...98 %

Accuracy classes of temperature sensors | Tolerances for Pt100 acc. to DIN EN 60751

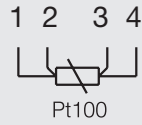
Pt100	A	1/3 B	1/10 B
0 °C / 100 Ω	±0.15 K / ±0.06 Ω	±0.10 K / ±0.04 Ω	±0.03 K / ±0.01 Ω
100 °C / 138.5 Ω	±0.35 K / ±0.13 Ω	±0.27 K / ±0.10 Ω	±0.08 K / ±0.03 Ω

Electrical connection without transmitter

With 1 x M12 plug

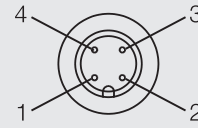


Configuration 1st M12 plug



Electrical connection with transmitter

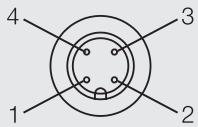
With M12 plug



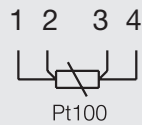
Configuration M12 plug

- 1: + supply
- 2: - supply 4...20 mA
- 3: not connected
- 4: not connected

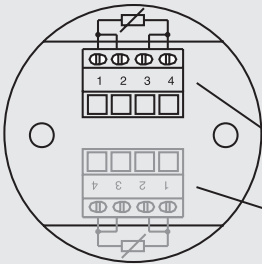
With 2 x M12 plug



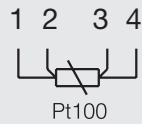
Configuration 2nd M12 plug



With cable gland

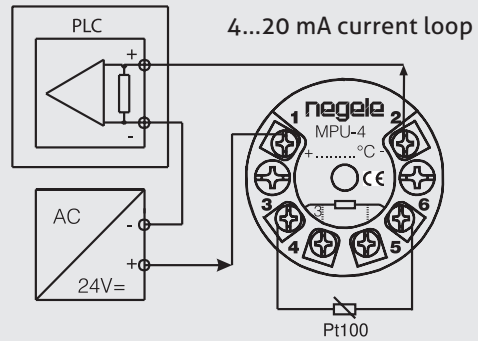


Configuration strip terminal



- clamps for 1st Pt100
- clamps for 2nd Pt100 (at version 2 x Pt100)

With cable gland

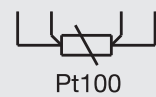


With fixed cable



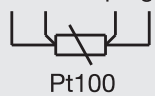
Fixed cable connection with 1 x Pt100

- wh ye bn gn standard
- rd rd wh wh PTFE



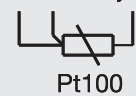
Fixed cable connection with 2 x Pt100 (LIYY)

- wh ye bn gn 1st Pt100
- rd bu pk gy 2nd Pt100



Fixed cable connection with 2 x Pt100 (PTFE)

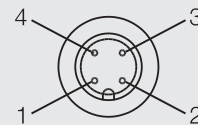
- rd rd wh 1st Pt100
- vt vt ye 2nd Pt100



Electrical connection with two transmitter (TFP-94)

With 1 x M12 plug (sensor 1 + sensor 2)

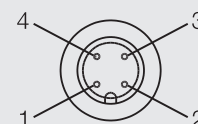
Configuration M12 plug



- 1: + supply (sensor 1)
- 2: - supply 4...20 mA (sensor 1)
- 3: - supply 4...20 mA (sensor 2)
- 4: + supply (sensor 2)

With 2 x M12 plug (sensor 1)

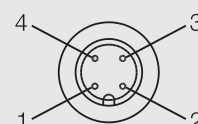
Configuration M12 plug



- 1: + supply (sensor 1)
- 2: - supply 4...20 mA (sensor 1)
- 3: not connected
- 4: not connected

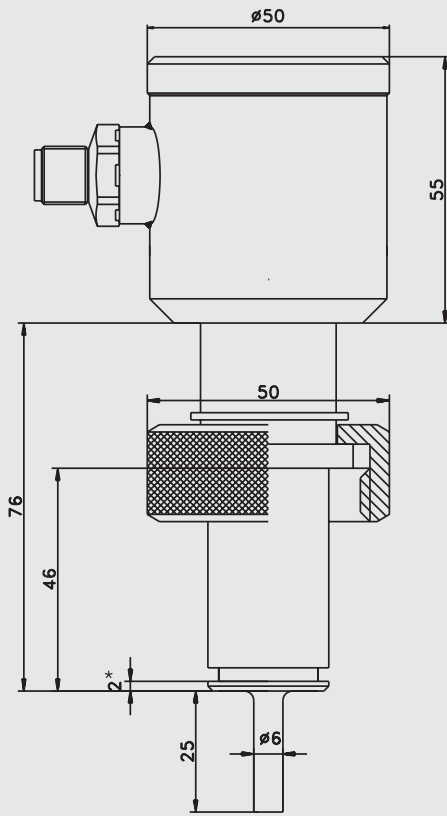
With 2 x M12 plug (sensor 2)

Configuration M12 plug

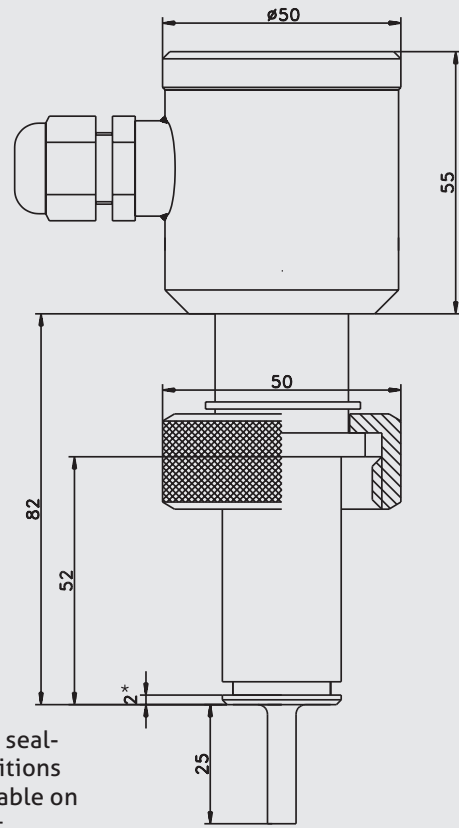


- 1: + supply (sensor 2)
- 2: - supply 4...20 mA (sensor 2)
- 3: not connected
- 4: not connected

TFP-90 / 46 / ... | TFP-90.2 / 46 / ...

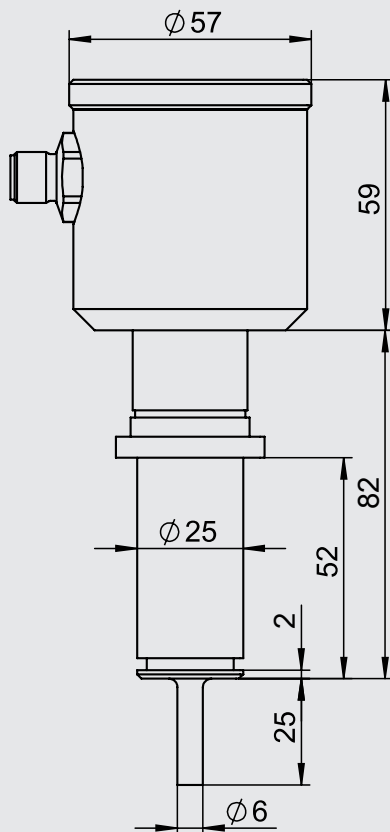


TFP-90 / 52 / ... | TFP-90.2 / 52 / ...

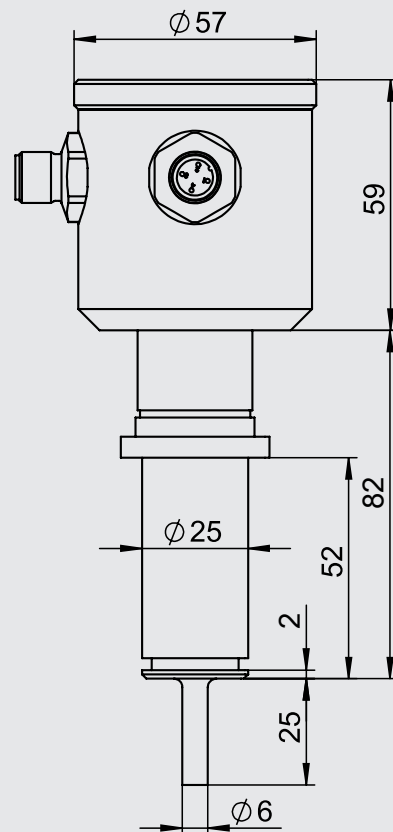


* Other sealing positions deliverable on request.

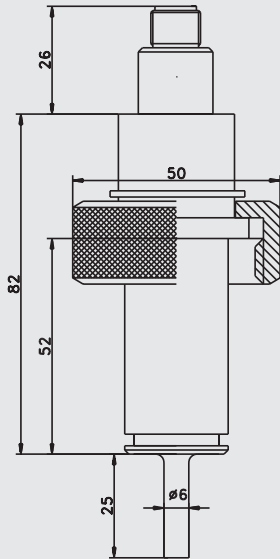
TFP-94 / ... | 1 x M12



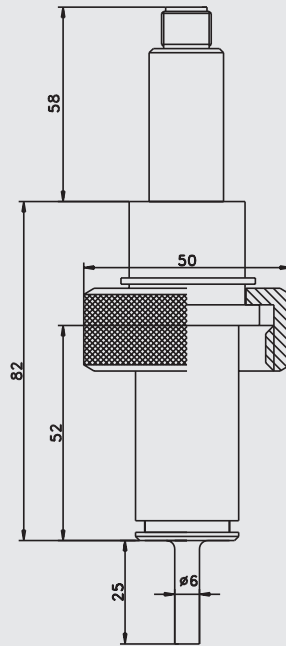
TFP-94 / ... | 2 x M12



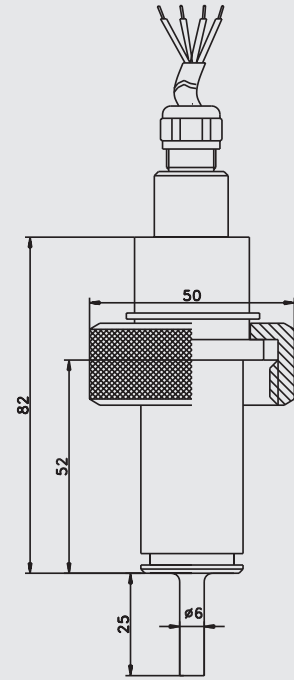
TFP-96 / 52 / ...



TFP-96 / 52 / ... / MPU-M



TFP-98 / 52 / ... | TFP-98.2 / 52 / ...

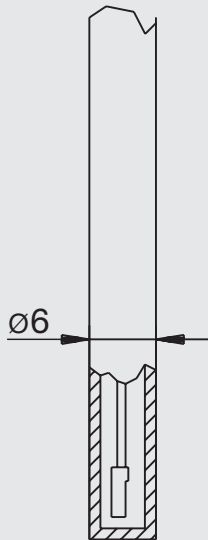


Sensor tip diameter and response time

All temperature sensors are available with smaller sensor tips, to ensure a shorter response time. The below-mentioned times were measured by immersing a temperature sensor with room temperature into boiling water.

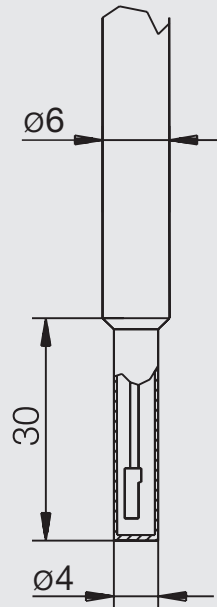
Sensor tip Ø 6 mm

50 %-time: $t_{50} \leq 3.0$ s
90 %-time: $t_{90} \leq 8.0$ s



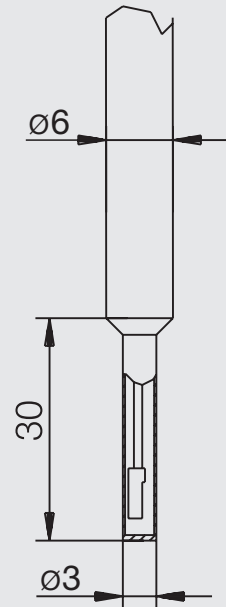
Sensor tip Ø 4 mm

50 %-time: $t_{50} \leq 2.4$ s
90 %-time: $t_{90} \leq 6.5$ s



Sensor tip Ø 3 mm

50 %-time: $t_{50} \leq 0.5$ s
90 %-time: $t_{90} \leq 1.5$ s



Transport/Storage

- No outdoor storage
- Dry and dust free
- Not exposed to corrosive media
- Protected against solar radiation
- Avoiding mechanical shock and vibration
- Storage temperature -55...+90 °C
- Relative humidity max. 98 %

Reshipment

- Sensors shall be clean and must not be contaminated with dangerous media!
- Use suitable transport packaging only to avoid damage of the equipment!

Disposal

- Electrical devices should not be disposed of with household trash. They must be recycled in accordance with national laws and regulations.
- Take the device directly to a specialized recycling company and do not use municipal collection points.

Conventional usage

- Not suitable for applications in explosive areas.
- Not suitable for applications in security-relevant equipments (SIL).

Standards and guidelines

- You have to comply with applicable regulations and directives.

Cleaning/Maintenance

- In case of using pressure washers, don't point nozzle directly to electrical connections!

Note on CE

- Applicable directives: Electromagnetic Compatibility Directive 2014/30/EU
- Compliance with the applicable EU directives is identified by the CE label on the product.
- The operating company is responsible for complying with the guidelines applicable to the entire installation.

Temperature Transmitter MPU-LCD with Display

Application/Specified usage

- 4...20 mA transmitter with LCD for Pt100 temperature sensor
- For installation in temperature sensor
- Sensor monitoring

Features

- 4-digit display with green backlight
- Temperature measurement in °C and °F
- Easy range select by one button
- Lower costs for wiring because of 2-wire technology

Note

See product information "MPU-LCD" for details.

**Option MPU-LCD
(display in the connection head)**

Order code for version with 1 x Pt100

TFP-90	(connecting head Ø 49 mm, non-sensitive design to vibrations)						
TFP-96	(connecting head Ø 18 mm, electrical connection M12 plug)						
TFP-98	(connecting head Ø 18 mm, electrical connection 2.5 m PTFE-cable; no transmitter possible!)						
	Connection length in mm (delivery incl. sealing ring)						
	46						
	52						
		Sensor length in mm					
		025					
		xxx	(special length on request)				
			Diameter sensor tip in mm				
			3	(on request)			
			4	(on request)			
			6				
				Accuracy class Pt100			
				A			
				1/3B			
				1/10B			
				Electrical connection (not selectable at TFP-96 and -98)			
				PG (cable gland M16x1.5)			
				M12 (M12 plug, standard with MPU-LCD)			
				Transmitter			
				X (without)			
				only for TFP-90			
				MPU-4 (programmable)			
				MPU-H (HART-protocol)			
				MPU-LCD (with display)			
				only for TFP-96			
				MPU-M (programmable)			
				Measuring range MPU (only for types with transmitter; not at MPU-LCD)			
				-10...40 (range -10...40 °C)			
				0...50 (range 0...50 °C)			
				0...100 (range 0...100 °C)			
				0...150 (range 0...150 °C)			
				0...200 (range 0...200 °C)			
				xx...yy (special range)			
TFP-90 /	52 /	025 /	6 /	A /	PG /	MPU-4 /	0...100



TFP Ø 18 mm
no longer available!



Successor: TSMF
New, modular and better!

All advantages at anderson-negele.com

Order code for version with 2 x Pt100

TFP-90.2	(connecting head Ø 49 mm, non-sensitive design to vibrations, no transmitter possible!)						
TFP-94	(like TFP-90.2, but with higher connecting head Ø 57 mm, including 2 x transmitter)						
TFP-98.2	(connecting head Ø 18 mm, electrical connection 2.5 m PTFE-cable; no transmitter possible!)						

Connection length in mm (delivery incl. sealing ring)

46

52

Sensor length in mm

025

xxx

(special length on request)

Diameter sensor tip in mm

3 (on request)

4 (on request)

6



Order code for version with 2 x Pt100

Accuracy class Pt100

A
1/3B
1/10B

Electrical connection only for TFP-90.2

PG (cable gland M16x1.5)
2xPG (2 x cable gland M16x1.5)
2xM12 (2 x M12 plug)

Electrical connection only for TFP-94

M12 (M12 plug)
2M12 (2 x M12 plug)

Continue if TFP-94 is selected! No further options for TFP-90.2!

1st Transmitter

MPU-4 (programmable)

Measuring range 1. MPU



-10...40 (measuring range -10...40 °C)
0...50 (measuring range 0...+50 °C)
0...100 (measuring range 0...+100 °C)
0...150 (measuring range 0...+150 °C)
0...200 (measuring range 0...+200 °C)
xx...yy (special range)

2nd Transmitter

MPU-4 (programmable)

Measuring range 2.MPU

-10...40 (range -10...40 °C)
0...50 (range 0...+50 °C)
0...100 (range 0...+100 °C)
0...150 (range 0...+150 °C)
0...200 (range 0...+200 °C)
xx...yy (special range)

	TFP Ø 18 mm no longer available!		Successor: TSMF New, modular and better!
All advantages at anderson-negele.com			

TFP-94 / 52 / 025 / 6 / A / 2M12 / MPU-4 / 0...100 / MPU-4 / 0...100

Accessories

PVC-cabel with M12-connection made of 1.4305, IP 69 K, unshielded

M12-PVC / 4-5 m PVC-cable 4-pin, length 5 m
M12-PVC / 4-10 m PVC-cable 4-pin, length 10 m
M12-PVC / 4-25 m PVC-cable 4-pin, length 25 m

PVC-cable with M12-connection made of brass plated, IP 69 K, shielded

M12-PVC / 4G-5 m PVC-cable 4-pin, length 5 m
M12-PVC / 4G-10 m PVC-cable 4-pin, length 10 m
M12-PVC / 4G-25 m PVC-cable 4-pin, length 25 m

Programming adapter

MPU-P 9701 Programming adapter for MPU-4, MPU-H and MPU-M

Sealing ring for Fermenter connection, material EPDM

DRF-20

PVC-cable with M12-connection



Programming adapter MPU-P 9701

