

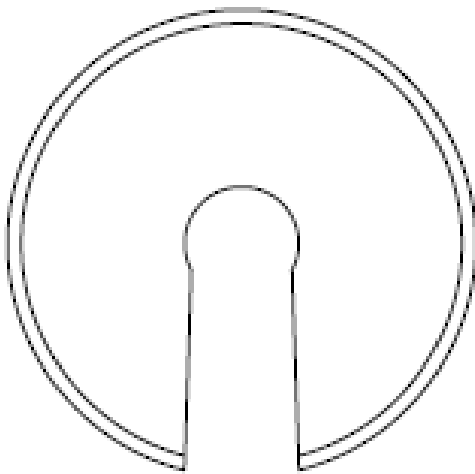


Manual ITM-51-CU

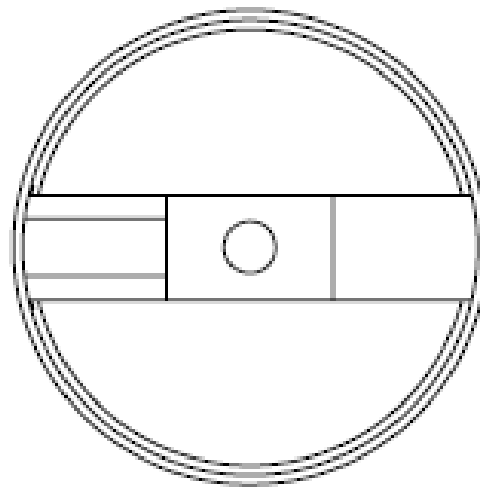
1. Application/intended use

The ITM-51/ITM-51R is maintenance-free. However, it is recommended to check the calibration of the turbidity sensor once a year. For this check the ITM-51-CU calibration check tool is recommended. With the solid state reference the viability can be checked. If a calibration is recommended the ITM-51 should be shipped back to Anderson-Negele.

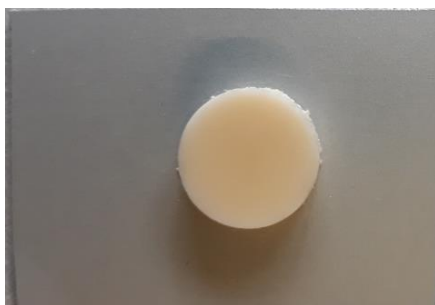
2. Scope of delivery



ITM-51-CU-cap



ITM-51-CU-bottom



ITM-51-CU reference plate

The reference plate is placed in the ITM-51-CU bottom piece and therefore protected. The reference plate can be removed and turned to top or bottom depending on the process connection of the used ITM-51.

2.1 Calibration check

For checking the liability of ITM-51/ITM-51R the ITM-51-CU is used as below:

1. Cleaning the lens of the ITM-51/ITM-51R. The lens must be free of residues and scratches. If the lens is scratched it is recommended to replace the entire sensor. Please get in touch with our service and support department for further information.
2. Changing the measurement category to NTU
3. Setting the upper range limit to 300K NTU
4. Placing the reference plate in the bottom piece according to the ITM-51 process connection. The ceramic cylinder must face in the direction where the ITM-51 is placed. Fitting types TLx and SOx are placed from bottom and centered automatically. The ceramic cylinder must face in the direction of the center hole of the bottom piece. Fitting type TCx and Vxx are placed on top of the bottom piece. The ITM-51 is placed on top of the ceramic cylinder and centered while screwing the cap onto the bottom piece.
5. Checking the displayed NTU value and compare with the reference value printed on the label of ITM-51-CU. The value needs to be within the range of $\pm 6\%$ as printed on the label as well.
6. If the displayed value is outside the limits it is recommended to send back the ITM-51 for recalibration.

3 Order structure and spare parts

The ITM-51-CU validation tool can be ordered with part number

2549.9000

ITM-51-CU

Solid State Reference for ITM-51
validation tool for calibration check

The solid-state reference plate can be ordered as spare part with part number

2549.9100

ITM-51-CU reference plate

Solid State Reference for ITM-51
aluminium plate with ceramic reference
spare part for ITM-51-CU