



Mini Pressure Transmitters

Anderson's HA "Mini" sanitary pressure transmitter is specifically designed for critical measurements in fractional size lines. The product can be ordered with 3/4", 1", or 1-1/2" Tri-Clamp® connections as well as our CPM fitting. This eliminates the need for reducers or adapters, thus reducing hold-up volumes in small lines. Internal zero and span adjustments and easily accessible test points greatly simplify calibration and validation. 316 "L" stainless steel wetted parts are electro-polished to an $R_a=8$. Finally, since it's an Anderson "Pharmaceutical Series" product, every transmitter includes a calibration certificate and permanent tag at no charge. Complete specifications appear below, with an ordering matrix and dimensions on the reverse.



SPECIFICATIONS

Excitation:

10-40 VDC (Absolute), 24 VDC Nominal regulated or unregulated

Output:

4-20 mA DC, 2 wire with non-interrupting circuit verification test points

Loop Resistance:

0-700 ohms at 24 VDC

Wiring Connection:

16 AWG max.; Screw Terminal; Accessible via removable screw cap conduit housing
Optional 5pin M12 Quick Disconnect Receptacle

Recommended Cable:

22-24 AWG, foil shielded, and PVC coated.
(3/16 - 1/4 OD insulation)

Accuracy:

± 0.5% of full scale

Repeatability:

± 0.3% of full scale

Hysteresis:

± 0.10% of full scale

Linearity:

±0.10% of full scale

Stability:

±0.30% of calibrated range/6 months

Storage Temperature:

-40°C to 65°C (-40°F to 149°F)

Process Temperature Limits:

-1°C to 149°C (30°F to 300°F)
(Horizontal Mount recommended over 135°C (275°F))

Ambient Temperature Limits:

-18°C to 49°C (0°F to 120°F)

Effect of Temperature Change:

± 0.1 psig/5.5°C (10°F) typical

Over-Range Rating:

2 times base range

Response Time:

200 uSec

Wetted Parts:

316L stainless steel electropolished
(R_a max. = 8 microinches, .2 microns)

Housing Material:

304 stainless steel

Zero and Span Adjustments:

± 10% of range

Mounting:

Direct connection

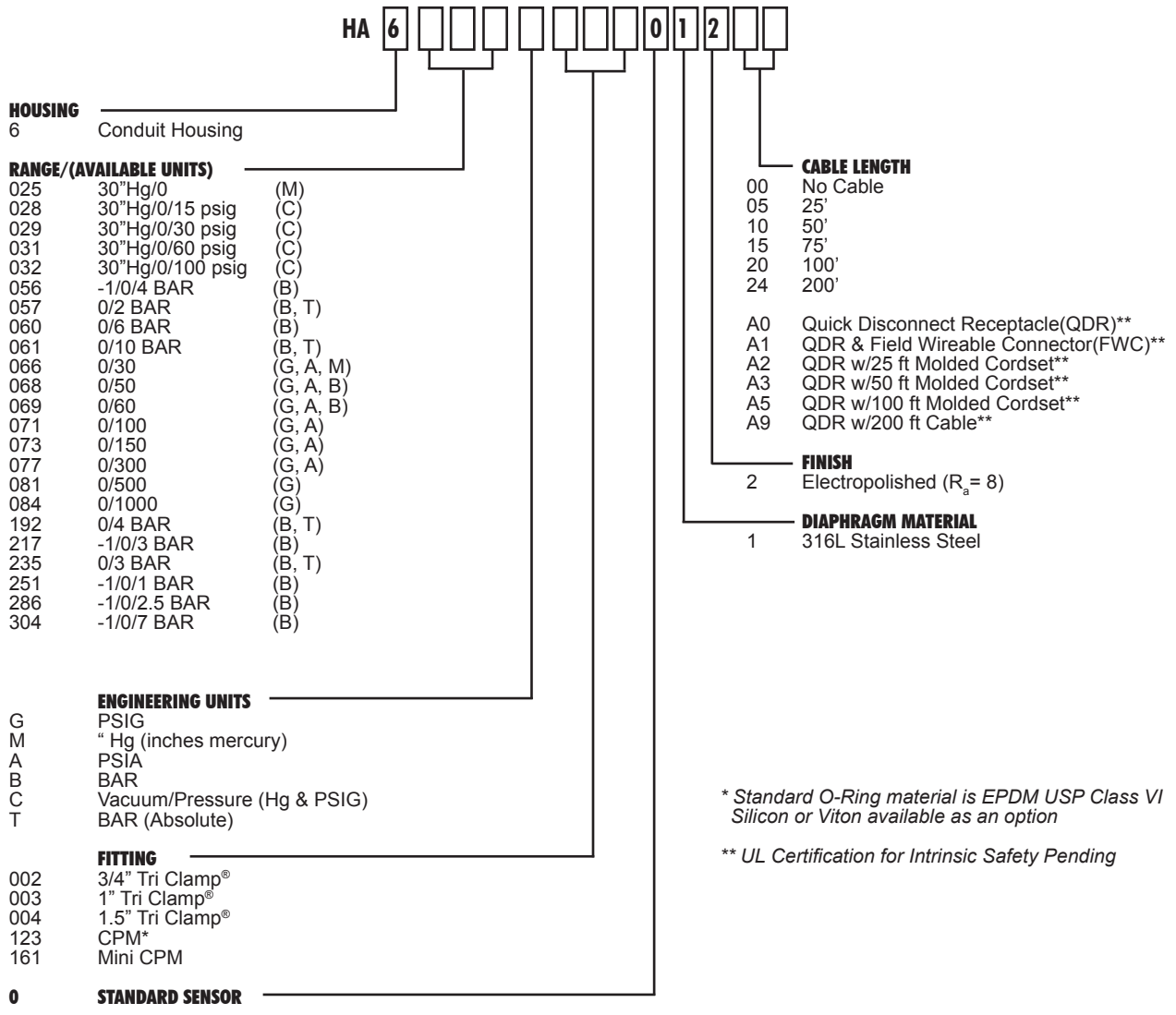
Electrical Ratings:

Intrinsically safe for use in
Class 1, Div. 1, Groups A-D; CE Compliant
(EMC Industrial Locations)

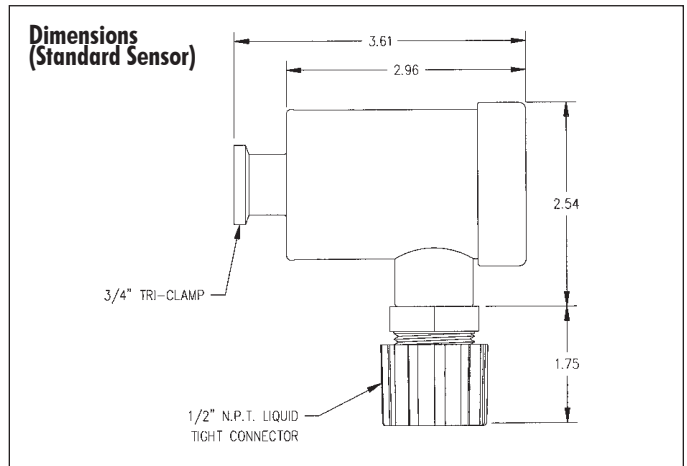
Standards:

Designed and manufactured to sound engineering practices in accordance with Article 3.3 of the PED 97/23/EC
NEMA 4X
IP66
CSA B51-03
CRN# CSA0F9754.5C (except Mini CPM fitting 161)

Complete Product Ordering Matrix



* Standard O-Ring material is EPDM USP Class VI Silicon or Viton available as an option
** UL Certification for Intrinsic Safety Pending



Form#5003 © 12/97
Revised: 1/18/11
Supersedes: 3/10