

**Product Information EK****PHARMA**

# Pressure Gauge EK

**Application**

- Hygienic pressure measurement

**Application examples**

- Local display without power supply

**Hygienic design/Process connection**

- Versions available to conform to 3-A Standard 74-
- Sensor materials and actuating fill are FDA conform
- Gauges completely made of stainless steel
- Direct connection for 3/4" und 1" Tri-Clamp and Anderson-Negele CPM
- Autoclaveable version with Anderson-Negele CPM fitting
- IP 66, housing for optimized cleanability

**Features**

- CIP-/SIP-cleaning up to 149 °C (300 °F) / maximum 60 minutes
- Zero adjustable
- Surface  $R_a \leq 0.2 \mu\text{m}$  (0.2 microns, 8 micro-inches) is standard

**Options**

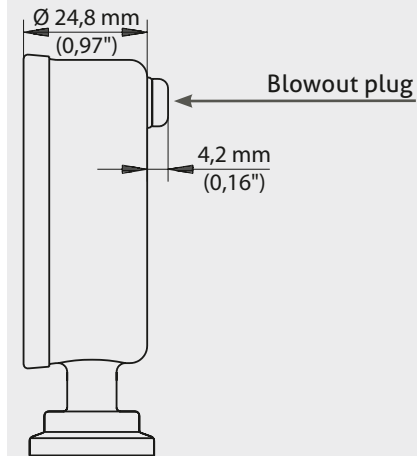
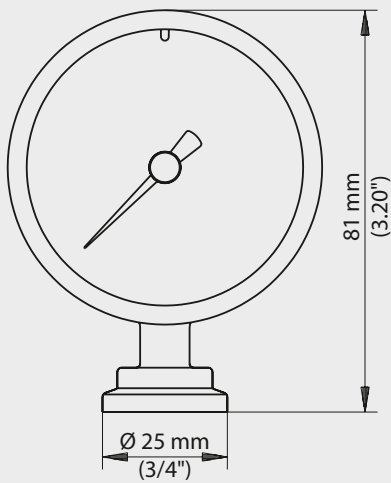
- Case filling with glycerine for damping
- Actuating fill with Neobee® M-20

**EK for 3/4" Tri-Clamp**

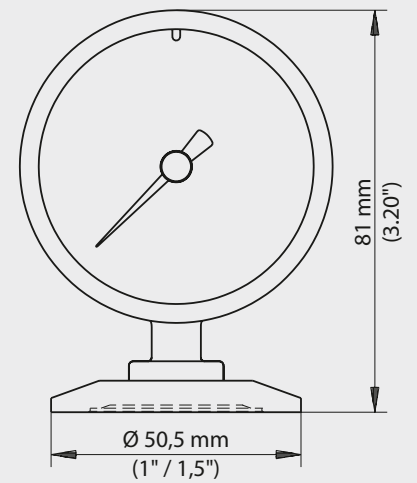
Specification		
<b>Material</b>	diaphragm	1.4404 / AISI 316L $R_a \leq 0.2 \mu\text{m}$ (0.2 microns, 8 micro-inches)
	fitting	1.4404 / AISI 316L
	bourdon tube	1.4301 / AISI 304
	movement	1.4301 / AISI 304
	case	1.4301 / AISI 304
	lens	polycarbonat / Lexan (standard gauge) polysulfone (autoclaveable version)
	case fill	glycerine (option)
<b>Actuating fill</b>	FDA approval number	medical white oil 21 CFR 172.878 and 21 CFR 178.3620(a)
	option	Neobee® M-20 Glycerin (100 % USP grade)
<b>Protection class</b>		IP 66 / NEMA 4X
<b>Over-range capability</b>		minimum 25 % of full range
<b>Accuracy</b>	measurement	$\pm 1.5$ % of full scale *
	repeatability	$\pm 0.5$ % of full scale
	linearity	$\pm 0.5$ % of full scale
	hysteresis	$\pm 0.5$ % of full scale
<b>Temperature</b>	process	-3 °C...140 °C / 25 °F...284 °F autoclaveable at 149 °C / 300 °F for 60 minutes with process connection CPM and unfilled case
	CIP/SIP ambient	149 °C / 300 °F for maximum 60 minutes 4 °C...49 °C / 40 °F...120 °F slower reaction at deep temperatures
<b>Temperature effect</b>		less then 0,035 bar / 0.5 psi per 5.5 °C / 10 °F change in process or ambient temperature
<b>Stability</b>	from 10...90 % of range	$< \pm 0.01$ %/K of full scale in process or ambient temperature
<b>Weight</b>		140...390 g (depending on process connection and filling)
<b>Standards</b>		Designed and manufactured to sound engineering prac- tices inaccordance with Article 3.3 of the PED 98/23/EC CSA B51-03

\*) from 10...90 % of pressure range

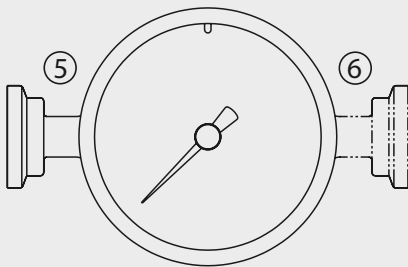
## EK for 3/4" Tri-Clamp



## EK for 1" resp. 1½" Tri-Clamp



## Option connection left (5) / right (6)



## Note on 3-A Sanitary Standard 74-



Information on installation according to 3-A standard is available on our website:  
[www.anderson-negele.com/3A74.pdf](http://www.anderson-negele.com/3A74.pdf)

Click on the PDF icon to download the document.

## Order code

EK mini sanitary pressure gauge, diameter housing 63 mm / 2.48", incl. material certificate

**Measuring range PSI**

<b>029</b>	30 "Hg/0...30
<b>031</b>	30 "Hg/0...60
<b>066</b>	0...30
<b>069</b>	0...60
<b>071</b>	0...100
<b>074</b>	0...160

**Measuring range BAR**

<b>055</b>	-1.0...2.0
<b>056</b>	-1.0...4.0
<b>475</b>	-1.0...6.0
<b>057</b>	0...2.0
<b>192</b>	0...4.0
<b>309</b>	0...7.0
<b>337</b>	0...11.0
<b>063</b>	0...15.0

**01** Fixed character

**Mount / connection**

<b>1</b>	down
<b>5</b>	left
<b>6</b>	right

**Process connection (Ⓐ: 3-A approval)**

<b>002</b>	Tri-Clamp 3/4" Ⓐ
<b>003</b>	Tri-Clamp 1" Ⓐ
<b>123</b>	CPM Ⓐ – autocleaveable
<b>161</b>	Mini CPM Ⓐ

**Filling system**

<b>1</b>	medical white oil
<b>5</b>	Neobee® M-20 (not available for Tri-Clamp 3/4")

**Damping / case fill**

<b>1</b>	without, unfilled case
<b>2</b>	glycerine filling, not available for connection "5" and "6"
<b>3</b>	vented crystal/unfilled case, standard with CPM fitting "123"

EK 055 01 1 002 1 1